

Applications

For commercial buildings,
industry and utilities

Smart Energy and Building Automation

Clock and sensors
Lighting systems
Security systems
Thermostat systems

Utilities

Automatic meter reading
Smart energy home
area networks
Street light monitoring
Traffic light controls

ZigBee/IEEE 802.15.4 Wireless Access Point



EZport provides a gateway between IP networks, ZigBee/IEEE 802.15.4 networks, and serial devices. The gateway bridges the application level data between Serial, ZigBee, and Ethernet.

The ZigBee port can be configured as ZigBee Coordinator, Router, or End Device. The Ethernet port can be configured as a TCP or UDP Client/Server. The Serial port allows connections for RS232, 422, and 485 serial devices.

EZport is compliant with ZigBee PRO protocol. It supports different network topologies: point-to-point / point-to-multipoint star network topologies, and self-organizing / self-healing mesh networks topologies. It offers network scalability and is ideal for the rapidly growing energy management systems, building automation, lighting control, automated meter reading and security system.

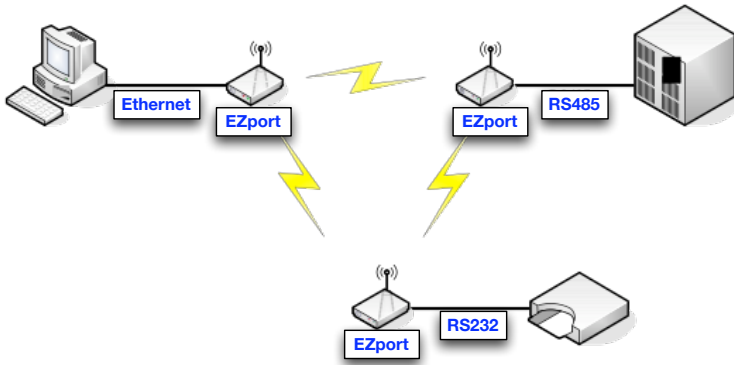
The EZport provide several ways to configure its parameters: an user friendly wizard, AT command, and a management utility.

Features

- DIN rail or Panel mount
- Supports 10/100 Mbps Ethernet
- Supports RS-232, RS-422, and RS-485 serial interface
- Supports LAN/WAN communications
- In Server mode supports individual client sessions for security
- Management access password protected
- Virtual COM drivers for Windows 2000/2003/XP/Vista
- Supports socket connection, TCP server, TCP client, and UDP
- Supports up to 8 TCP connection in TCP server mode
- Heart beat connection ensures reliable TCP connection against power failure or network disruption
- Supports loop back mode: data is echoed back for easy connection test

ZigBee/IEEE 802.15.4 Wireless Access Point

Application



DB9 M Pin	RS232	RS422	RS485
1	DCD	RX-	--
2	RXD	RX+	--
3	TXD	TX+	DATA+
4	DTR	TX-	DATA-
5	GND	GND	--
6	DSR	CTS-	--
7	RTS	CTS+	--
8	CTS	RTS+	--
9	RI	RTS-	--

Specifications

	EZport101	EZport101PA
Wireless Interface		
Transmit power	1.25mW/2mW	50mW
Indoor /Urban Range	133ft(40m)	300ft(100m)
Outdoor/Line of Sight	400ft(120m)	1 mile(1.6km)
Network Topology	Star/Mesh	
Encryption	128-bit AES	
ID and Channel	PAN ID, 64-bit IEEE MAC, 16 Channels	
RF configuration	API or AT commands	
RF standard	IEEE 802.15.4	
Frequency	2.4G	
RF data rate	250Kbps	
LAN/WAN		
Ethernet Interface	10/100 Mbps Auto-detecting	
Protocol	TCP, IP, ARP, DHCP, Telnet, HTTP, UDP, ICMP	
Serial Interface		
Interface	RS-232, RS422, RS485	
Data rate	110 bps to 230.4 k bps	
Data bits	5, 6, 7 or 8	
Stop bitz	1, 1.5 or 2	
Others		
Dimension	3.35 x 4.5 x 0.90 in (8.5 x 11.5 x 2.3 cm)	
Operation Temperature	0 to 50 °C (32 to 122 °F)	
Power Requirement	9 ~15 VDC	
Humidity	0 – 90% Non-Condensing	
Approvals	CE, FCC	

Passport Networks Inc.

America
43942 Brighton Common
Fremont, CA 94538 U.S.A
www.passportnetworks.com

Taiwan
3.F., No.27, Fuxing Road,
Xindian City, Taipei County 231,
Taiwan (R.O.C.)

